

showering and bathing from...

**AQUALISA**

**new**  
Midas Plus Mono



# Midas<sup>TM</sup>

100, 200, 300, Midas Plus and Midas Plus Mono

# Midas™



The Midas range from Aqualisa... five great bar mixer showers designed to offer great style, great features and great prices. Combined with great performance, easy installation and thoughtful, user friendly features – whatever solution you require – make yours a Midas!

# Contents

## 2 – Midas™ 100

Simple, universal and a great install. The perfect choice for the family bathroom.



## 4 – Midas™ 200

Sleek and elegant with contemporary looks – perfect for modern family bathrooms.



## 6 – Midas™ 300

Luxurious, contemporary styling with metal build and consumer appeal, the finishing touch for a beautiful bathroom



## 8 – Midas™ Plus

Dual headed shower for flexible family showering. Every modern family bathroom should have one.



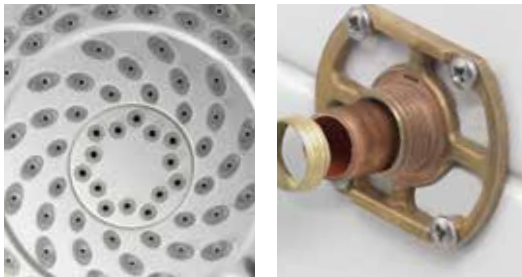
## 10 – Midas™ Plus Mono

Simple and modern - Midas Plus Mono is perfect for those looking for a reliable, low maintenance and robust shower solution.



## 12 – Shower heads and accessories

All the extra's you need to make your installation run smoothly.



## 14 -15 – Fixing kits

## 16 – Ranges, codes and prices

# Midas™ 100

## Thermostatic bar mixer shower and bath shower mixer range

With great installation benefits, thermostatic precision, reliability and outstanding performance, Midas 100 is packed full of great features for the bathroom.



**MD100BAR**

Midas 100 bar mixer shower with 90mm Harmony head



**MD100EBAR**

Midas 100 bar mixer shower with 90mm Harmony head and easy fit bracket



**MD100BSM**

Midas 100 bath shower mixer with 90mm Harmony head – deck mounted



**MD100BSM**

Midas 100 bath shower mixer with 90mm Harmony head – wall mounted

**525301** Wall mount fitting

### Midas 100 features

- Metal build and construction
- Adjustable multi-mode Harmony shower head with eco spray setting
- Exclusive 'all in one' packaged shower system and fixing bracket option
- Separate temperature and flow control
- Temperature override button for extra safety
- Suitable for HP/Combi and Gravity water systems (MD100BAR and MD100EBAR)
- Bath shower mixer suits High Pressure and Combination Boiler systems
- 5 year manufacturer's guarantee

### Spray patterns



Outer spray



Middle spray



Inner spray



Eco spray

### 1st fix, 2nd fix packaging

Designed with the installer in mind, this award winning packaging system for Midas 100 means the installer can access the easy fit bracket, fix it, and return later to finish the job – secure in the knowledge that the shower system is still sealed in the box.





### Shower

- Wall mount fittings included

### Bath shower mixer

- Positive selector on bath shower mixer for quick and easy switching between shower and bath
- Wall and bath mount installation options
- Thermostatic bath fill and lockable maximum temperature – complies with Part G Building Regulations

### Accessories

- Range of shower outlet flow regulators available
- Chrome exposed fixing kit available for rising or falling exposed pipework
- Co-ordinated monobloc basin tap
- Can be installed using the Midas concealed easy fit bracket (MD300EFB) or our Bar valve fixing kit (BAR001FIX) if you require a surface mounted fixing solution

  
**ALL**  
 WATER SYSTEMS  
 MD100BAR / EBAR

  
**HP/Combi**  
 WATER SYSTEMS  
 MD100BSM

  
**4 SPRAY**  
 PATTERNS

  
 WATER SAVING  
**SPRAY**

**5**  
 YEAR  
 GUARANTEE

# Midas™ 200

Thermostatic bar mixer shower and bath shower mixer range

Sleek and elegant with contemporary styling and a luxurious metal finish, Midas 200 combines reliability and outstanding showering performance – making it the ideal choice for the modern family bathroom.



MD200BAR – HP/Combi  
MD201BAR – Gravity

Midas 200 bar mixer shower with 90mm Harmony head



MD200BSM – HP/Combi

Midas 200 bath shower mixer with 90mm Harmony head – deck mounted



MD200BSM – HP/Combi

Midas 200 bath shower mixer with 90mm Harmony head – wall mounted

525301 Wall mount fitting

## Midas 200 features

- Luxury, metal build and construction
- Separate temperature and flow control
- Temperature override button for extra safety
- Eco stop flow control on high pressure variants
- Adjustable multi-mode Harmony shower head with eco setting
- High Pressure and Low Pressure shower systems available
- Bath shower mixer suits High Pressure and Combination Boiler systems
- 5 year manufacturer's guarantee

## Spray patterns



Outer spray



Middle spray



Inner spray



Eco spray



### Shower

- High pressure and low pressure variants available
- Provides impressive flow rates with low pressure systems
- High pressure variant complete with eco stop flow control
- Wall mount fittings included

### Bath shower mixer

- Suitable for High Pressure and Combi Boiler systems
- Positive selector on bath shower mixer makes switching between shower and bath quick and easy
- Wall and bath mount installation options
- Thermostatic bath fill and lockable maximum temperature – complies with Part G Building Regulations

### Accessories

- Range of shower outlet flow regulators available
- Chrome exposed fixing kit available for rising or falling exposed pipework
- Co-ordinated monobloc basin tap
- Can be installed using the Midas concealed easy fit bracket (MD300EFB) or our Bar valve fixing kit (BAR001FIX) if you require a surface mounted fixing solution



# Midas™ 300

Thermostatic bar mixer shower and bath shower mixer range

Introducing luxury to the hugely successful Midas range, with its stunning good looks and sensational contemporary styling, Midas 300 will be a 'wow' in any bathroom.



MD300BAR – HP/Combi  
MD301BAR – Gravity

Midas 300 bar mixer shower with adjustable head



MD300BSM – HP/Combi

Midas 300 bath shower mixer with adjustable head – deck mounted



MD300BSM – HP/Combi

Midas 300 bath shower mixer with adjustable head – wall mounted

525301 Wall mount fitting



## Midas 300 features

- Metal build and construction
- Height adjustable 'pancake style' multi-mode shower head
- High Pressure and Low Pressure shower systems available
- Stylish rail system complete with sleek smooth chrome hose
- 5 year manufacturer's guarantee

## Spray patterns



inner



outer



combined

## Contemporary shower head and kit

Offering a host of considerate details the Midas 300 contemporary shower head comes with a clickable spray plate control, a thoughtful anti-twist hose connection and delivers luxurious, well defined spray patterns.





### Shower

- Both High Pressure and Low Pressure variants available
- Provides impressive flow rates with low pressure systems
- High Pressure variant complete with eco stop flow control
- Wall mount fittings included

### Bath shower mixer

- Suitable for High Pressure and Combi Boiler systems
- Positive selector on bath shower mixer makes switching between shower and bath quick and easy
- Wall and bath mount installation options
- Thermostatic bath fill and lockable maximum temperature – complies with Part G Building Regulations

### Accessories

- Range of shower outlet flow regulators available
- Chrome exposed fixing kit available for rising or falling exposed pipework
- Co-ordinated monobloc basin tap
- Can be installed using the Midas concealed easy fit bracket (MD300EFB) or our Bar valve fixing kit (BAR001FIX) if you require a surface mounted fixing solution



# Midas™ Plus

Thermostatic bar mixer shower with fixed and adjustable heads

Sleek good looks and modern styling PLUS the practicality of an overhead drencher head and a three spray adjustable handset – Midas Plus ticks all of the boxes.



## Diverter

Midas Plus flow control knob with neat, integral diverter for easy switching between shower heads.

## Midas Plus features

- Quality, brass body
- Luxurious 200mm fixed drencher shower head
- Adjustable handset with 3 function easy click spray control
- Soft, rub clean nozzles for easy cleaning
- Flow control with integral diverter to switch between shower heads
- Temperature control knob with temperature override button
- 1.5m metal chrome hose
- Optional 6, 8, 9 and 12 lpm outlet flow regulators available
- Compatible with Aqualisa easy fit fixing bracket and bar valve fixing kit
- Suits High Pressure, Combination Boiler and Boosted Gravity water systems
- 5 year manufacturer's guarantee



MD000PLUS – HP/Combi

Midas Plus bar mixer shower with fixed and adjustable heads



### Shower

- Wall mount fittings included

### Accessories

- Range of shower outlet flow regulators available
- Extended formed arm which will project 475mm into the bathing area, making it ideal for larger walk-in enclosures or over bath configurations
- Co-ordinated monobloc basin tap
- Can be installed using the Midas concealed easy fit bracket (MD300EFB) or our Bar valve fixing kit (BAR001FIX) if you require a surface mounted fixing solution



NEW

# Midas™ Plus Mono

Thermostatic bar mixer shower with drencher head

Simplicity at its best – Midas Plus Mono is the perfect solution for those looking for a reliable, low maintenance and robust bar mixer shower, which offers a luxurious showering experience and suits most bathroom styles.



## Midas Plus Mono features

- 200mm fixed drencher shower head for a luxurious showering experience
- Quality, hard wearing brass body
- Separate temperature and flow control
- Temperature override button for extra safety
- Easy clean nozzles
- 400mm arm to suit all shower enclosures
- 130mm-170mm adjustable centre inlet connections
- Easy fit fixing accessories available for easy installation
- Suits High Pressure, Combination Boiler and Boosted Gravity water systems
- 5 year manufacturer's guarantee



MD000PLMN – HP/Combi

Midas Plus Mono bar mixer shower with fixed drencher head



### Shower

- Wall mount fittings included

### Accessories

- Range of shower outlet flow regulators available
- Extended formed arm which will project 475mm into the bathing area, making it ideal for larger walk-in enclosures or over bath configurations
- Co-ordinated monobloc basin tap
- Can be installed using the Midas concealed easy fit bracket (MD300EFB) or our Bar valve fixing kit (BAR001FIX) if you require a surface mounted fixing solution



# Harmony shower heads

Combining contemporary looks with great functionality, the new Harmony shower heads are featured with Midas 100 and Midas 200 product ranges. Designed to deliver an uncompromising showering experience from both high and low pressure systems, Harmony is packed with thoughtful, user friendly features.



## Optimising your shower

The cleverly designed spray patterns deliver a concentrated and fuller spray for a satisfying showering experience, even with low pressure water systems.



## Easy clean nozzles

Harmony's rub clean nozzles are designed to make cleaning and limescale removal easy, reducing the need for chemical de-scaling, and maintaining shower performance.



## Water saving

Harmony's 'eco' spray setting, on mixer showers, is capable of delivering up to 25% water saving, without compromising the showering experience.



## Anti-twist hose connection

A thoughtfully designed anti-twist mechanism allows the shower head to swivel independently from the hose to avoid twisting, maintaining performance and extending the life of the hose.



# Accessories

Aqualisa bar mixer shower accessories have been designed with the installer in mind, packed full of innovative features to simplify installation and deliver a great performance. These accessories are compatible with Midas bar valve shower systems, and come with a 2 year manufacturer's guarantee.



**Exposed pipe fittings – 479106**

Midas 100, 200 and 300 bar mixer showers offer the option of exposed pipe fittings that enable the products to be fitted to rising or falling exposed pipework.



**Flow regulators**

Aqualisa bar mixer showers are available with a choice of regulators that limit flow to 6, 8, 9 and 12 litres per minute. Ideal for reducing water consumption, running costs and meeting the criteria set out in Part G of the Building Regs.



**Bar valve fixing kit – BAR001FIX**

This universal bar valve fixing kit has been designed to simplify installation, and minimise the risk of damage to tiles – to create the perfect finish!



**Concealed easy fit fixing bracket – MD300EFB**

The Midas easy fit fixing bracket enables multiple fixing options for an easy, flexible installation solution. Strong and light, no matter what the job presents, the fixing bracket can provide the answer.



# Bar valve fixing kit

Suitable for all our Midas bar mixer showers, the bar valve fixing kit is your perfect solution for simplified installation.

With diagonal fixing points, damage to hidden pipe work can be avoided and spanner flats increase grip while tightening, reducing the risk of damage to tiling. Slotted fixing points allow fine adjustment for trouble free fixing. And for a perfect finish the fixing kit comes with cover plates that hide unsightly valve threads.

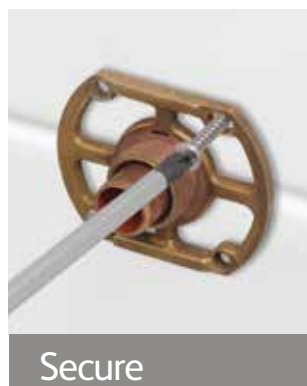


## How it works



### Position

Diagonal fixing points reduce the risk of piercing pipe work. Important where the valve has not been fitted by the same person who installed the pipe work.



### Secure

Slotted fixing points allow adjustment before using round fixing points to secure into position.



### Connect

Larger and thicker spanner flats allow tools to grip easily while tightening the compression fitting, avoiding the need to tighten against the fixing screws and minimising the risk of damage to tiles.



### Finish

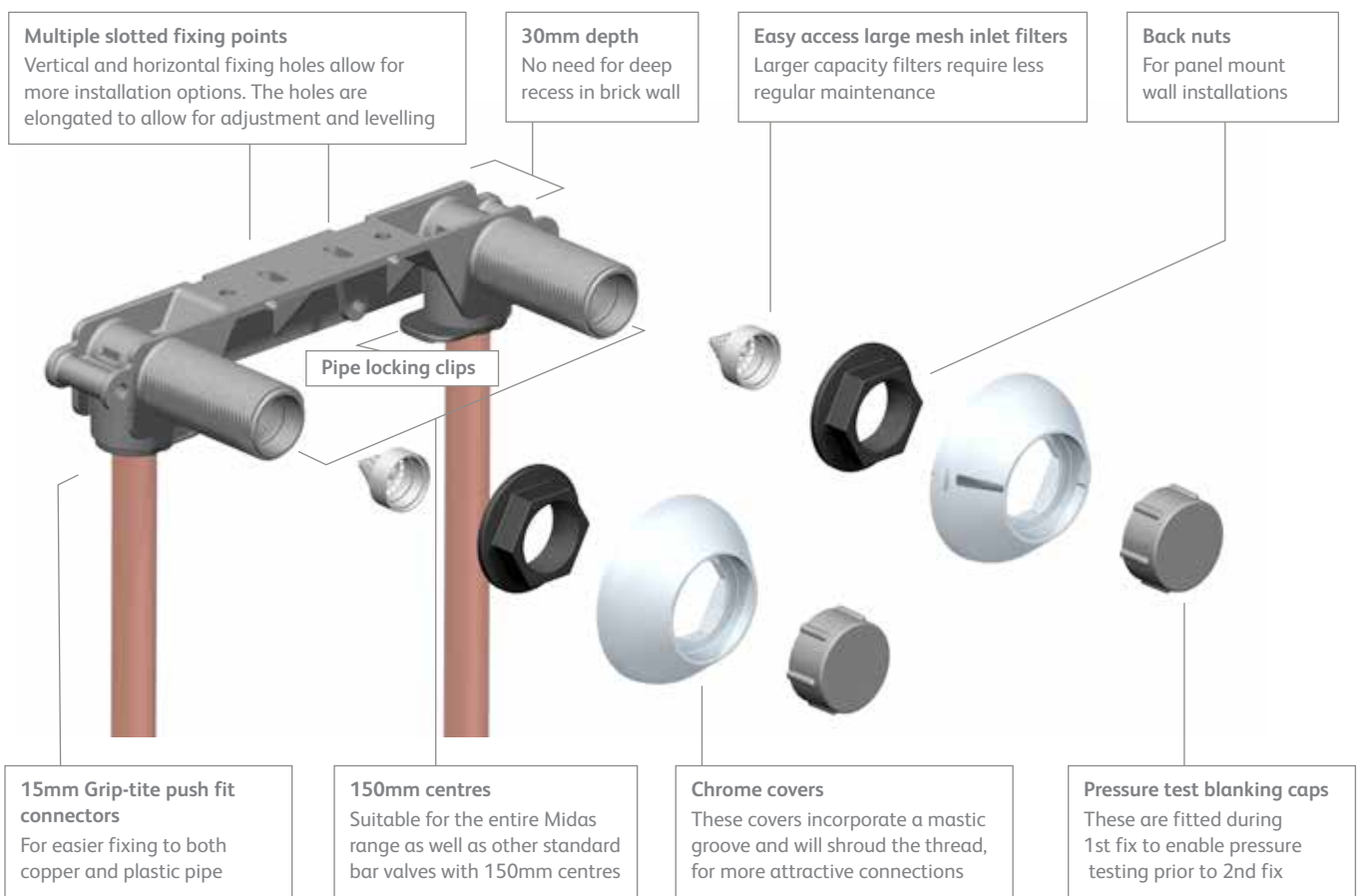
Chrome cover plates conceal threads between the valve and the mounting.



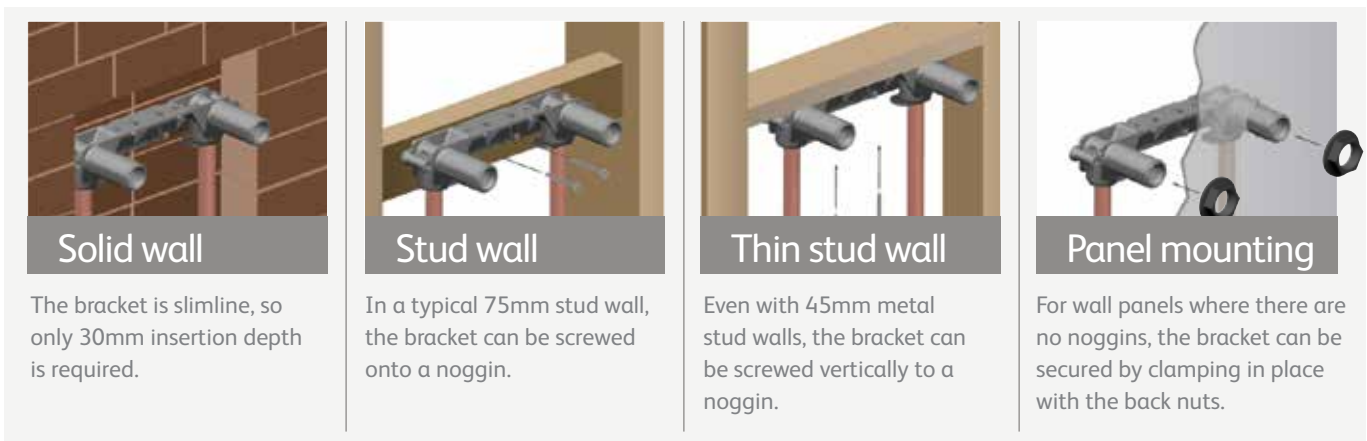


# Concealed easy fit fixing bracket

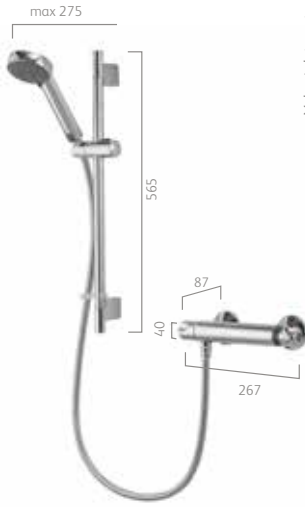
Midas easy fit fixing bracket has been thoughtfully designed and packed full of innovations. To make installation simple and performance great, it is both strong and light, so no matter what the job presents, the fixing bracket can provide the answer.



## Enables multiple fixing options...



## Midas™ 100

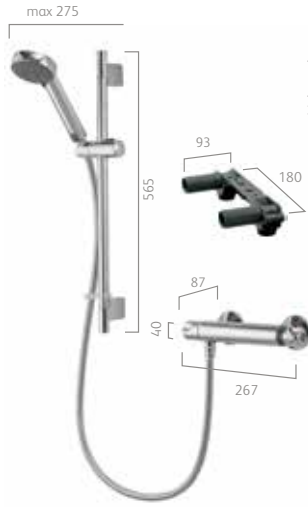


### MD100BAR

Midas 100 bar mixer shower with 90mm Harmony head

£146.67 £176.00 inc VAT

Valve inlet centres - 150mm

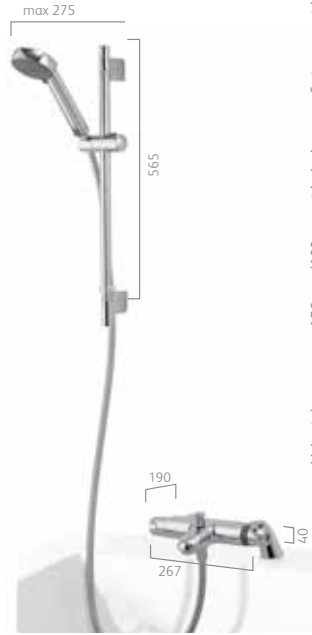


### MD100EBAR

Midas 100 bar mixer shower with 90mm Harmony head and easy fit bracket

£167.50 £201.00 inc VAT

Valve inlet centres - 150mm

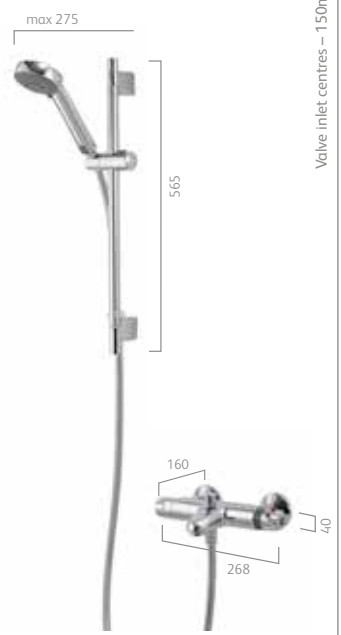


### MD100BSM - HP/Combi

Midas 100 bath shower mixer with 90mm Harmony head - deck mounted

£220.00 £264.00 inc VAT

Valve inlet centres - 150mm (180mm with deck mount fittings provided)



### MD100BSM - HP/Combi

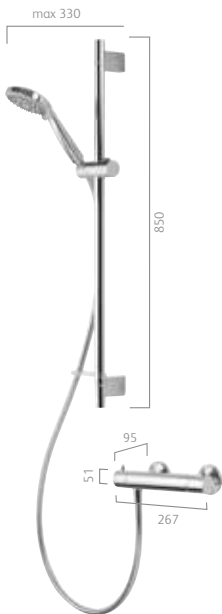
Midas 100 bath shower mixer with 90mm Harmony head - wall mounted

£220.00 £264.00 inc VAT

Valve inlet centres - 150mm

525301 Wall mount fitting  
£10.83 £13.00 inc VAT

## Midas™ 300



### MD301BAR - Gravity MD300BAR - HP/Combi

Midas 300 bar mixer shower with adjustable head

£305.00 £366.00 inc VAT

Valve inlet centres - 150mm



### MD300BSM - HP/Combi

Midas 300 bath shower mixer with adjustable head - deck mounted

£387.50 £465.00 inc VAT

Valve inlet centres - 150mm (180mm with deck mount fittings provided)



### MD300BSM - HP/Combi

Midas 300 bath shower mixer with adjustable head - wall mounted

£387.50 £465.00 inc VAT

Valve inlet centres - 150mm

## Midas™ Plus



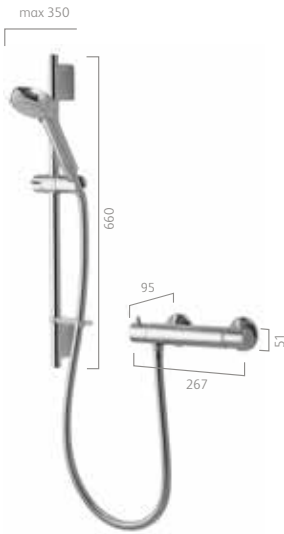
### MD000PLUS - HP/Combi

Midas Plus bar valve with fixed and adjustable heads

£364.17 £437.00 inc VAT

658802 410mm formed riser rail for a longer reaching fixed head  
£33.80 £40.56 inc VAT

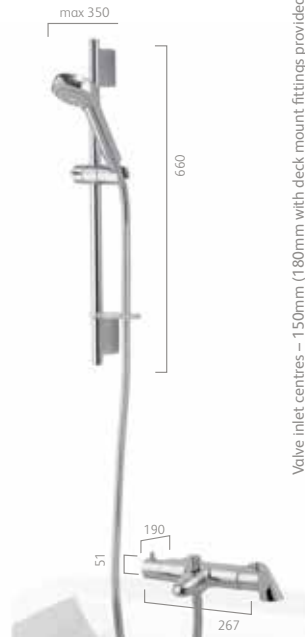
## Midas™ 200



**MD200BAR – HP/Combi**  
**MD201BAR – Gravity**

Midas 200 bar mixer shower with 90mm Harmony head

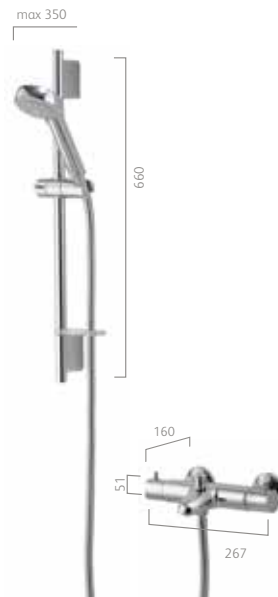
£235.00 £282.00 inc VAT



**MD200BSM – HP/Combi**

Midas 200 bath shower mixer with 90mm Harmony head – deck mounted

£320.83 £385.00 inc VAT



**MD200BSM – HP/Combi**

Midas 200 bath shower mixer with 90mm Harmony head – wall mounted

£320.83 £385.00 inc VAT

**525301** Wall mount fitting

£10.83 £13.00 inc VAT

## Midas™ Plus Mono



**MD000PLMN – HP/Combi**

Midas Plus Mono bar mixer shower with fixed drencher head

£299.17 £359.00 inc VAT

**658802** 410mm formed riser rail for a longer reaching fixed head

£33.80 £40.56 inc VAT

## Midas™ Accessories



**MD300BMT**

Midas basin monobloc tap (Suitable for HP/Combi systems only)

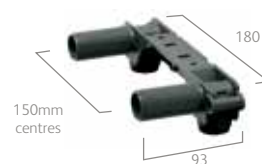
£70.83 £85.00 inc VAT



**479106**

Chrome exposed pipe fittings (pair). (Suitable for exposed rising and falling pipework)

£33.33 £40.00 inc VAT



**MD300EFB**

Midas concealed easy fit fixing bracket

£32.50 £39.00 inc VAT



**BAR001FIX**

Bar valve fixing kit (pair)

£31.67 £38.00 inc VAT



**479101**

12 lpm Flow regulator

**479102**

9 lpm Flow regulator

**910056**

8 lpm Flow regulator

**479103**

6 lpm Flow regulator

Each £3.89 £4.67 inc VAT



# AQUALISA

Aqualisa Products Limited  
The Flyer's Way  
Westerham  
Kent TN16 1DE

Customer Service and Technical Helpline: 01959 560010  
Brochure request line: 0800 652 3669  
Website: [www.aqualisa.co.uk](http://www.aqualisa.co.uk)  
Email: [enquiries@aqualisa.co.uk](mailto:enquiries@aqualisa.co.uk)



## Prices correct at time of print.

The company reserves the right to alter, change or modify the product specifications without prior warning. Please refer to the installation guides for technical information. Registered Trademark Aqualisa Products Limited.

Copyright © Aqualisa 2012. All rights reserved. No part of this brochure may be reproduced whether by copying or storing in any medium, electronic or otherwise, without the express permission of Aqualisa subject to any contrary provision under the Copyright, Designs and Patents Act 1988. Any unauthorised reproduction of any part of this brochure may lead to a civil claim for damages or criminal prosecution.