

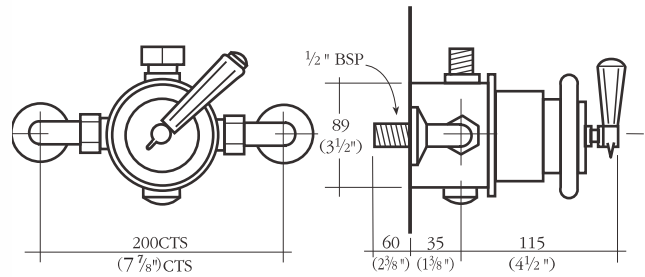


By Appointment to
Her Majesty Queen Elizabeth II
Manufacturer of Kitchen & Bathroom Taps & Mixers
Barber Wilsons & Co. Ltd.

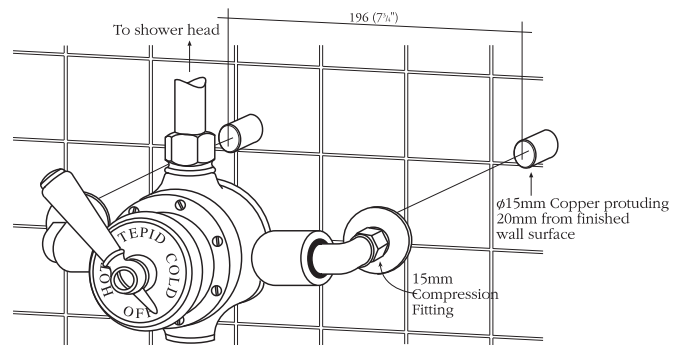
BARBER WILSONS & CO LTD

Exposed thermostats





PS53
Exposed Thermostatic mixer valve only and inlet bends.



PS53 CU
Exposed Thermostatic mixer valve only and inlet bends with compression elbows suitable for 15mm dia. copper tube.

PERFORMANCE OF THERMOSTATIC VALVES

Flow Rates at Equal Pressure Drops.
(Open outlet only. Does not allow for losses through pipes & fittings).

Pressure drop (bar)	0.1	0.5	1.0	1.5	2.0	3.0	4.0	5.0	
Flow rate (litres/min)	14	30	48	55	61	76	90	102	

Thermostatic valves to match Barwil tap styles



1890s (GA)



Regent (R)

Barber Wilsons thermostatic valves match the following Barwil styles:

- The **1890s (GA)** range have the original exposed top works.
- The **Regent (R)** range with 'easy-clean' shrouded head parts.



barwil.co.uk

Barber Wilsons & Co Ltd
Crawley Road, Wood Green,
London N22 6AH

Tel: +44 (0)208 888 3461
Fax: +44 (0)208 888 2041
Email: sales@barwil.co.uk

