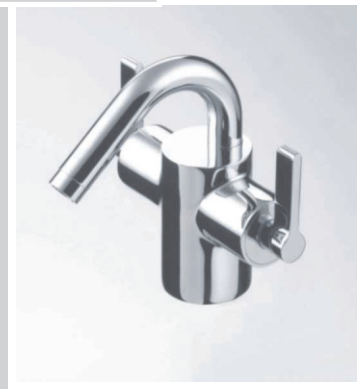


Silver



*Ideal
Standard*

INSTALLER:
After installation please pass this
instruction booklet to user

This installation instruction covers the Silver range of bathroom fittings. Please read it carefully before commencing installation

CODE PRODUCT

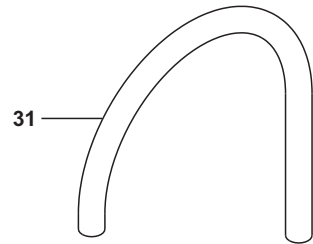
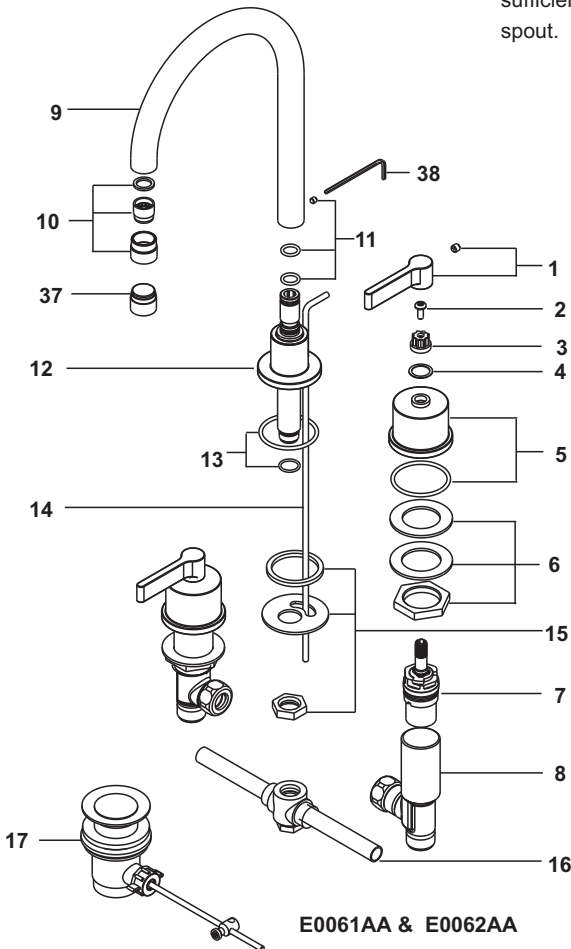
E0061AA	Silver 3 Hole Deck Basin Mixer with pop-up waste
E0062AA	Silver 3 Hole Deck Basin Mixer no pop-up waste
E0063AA	Silver 3 Hole Wall Basin Mixer with 150mm spout
E0064AA	Silver 3 Hole Wall Basin Mixer with 230mm spout
E0065AA	Silver Monoblock Dual Control Basin Mixer with pop-up waste
E0066AA	Silver Monoblock Dual Control Basin Mixer no pop-up waste
E0067AA	Silver Monoblock Single Lever Basin Mixer with pop-up waste
E0068AA	Silver Monoblock Single Lever Basin Mixer no pop-up waste
E0069AA	Silver Monoblock Single Lever Vessel
E0070AA	Silver 3 Hole Deck Bath Mixer
E0071AA	Silver 3 Hole Wall Bath Mixer
E0072AA	Silver 2 Hole Deck Bath Mixer
E0073AA	Silver Monoblock Dual Control Bidet Mixer with pop-up waste
E0074AA	Silver Monoblock Single Lever Bidet Mixer with pop-up waste
E0078AA	Silver 3 Hole Deck Kitchen Mixer

The fittings covered by this installation and maintenance instruction should be installed in accordance with the water regulations published in 1999*, therefore, American Standard would strongly recommend that these fittings are installed by a professional installer.

**IMPORTANT
PRIOR TO CONNECTION, FLUSH WATER THROUGH
PIPEWORK TO REMOVE ALL DEBRIS ETC. WHICH COULD
DAMAGE THE VALVES' MECHANISM**

*A guide to the Water Supply (Water fittings) Regulations 1999 and the Water Byelaws 2000, Scotland is published by WRAS (Water Regulations Advisory Scheme) Fern Close, Pen-y-Fan Industrial Estate, Oakdale, Newport, Np11 3EH.
ISBN 0-9539708-0-9

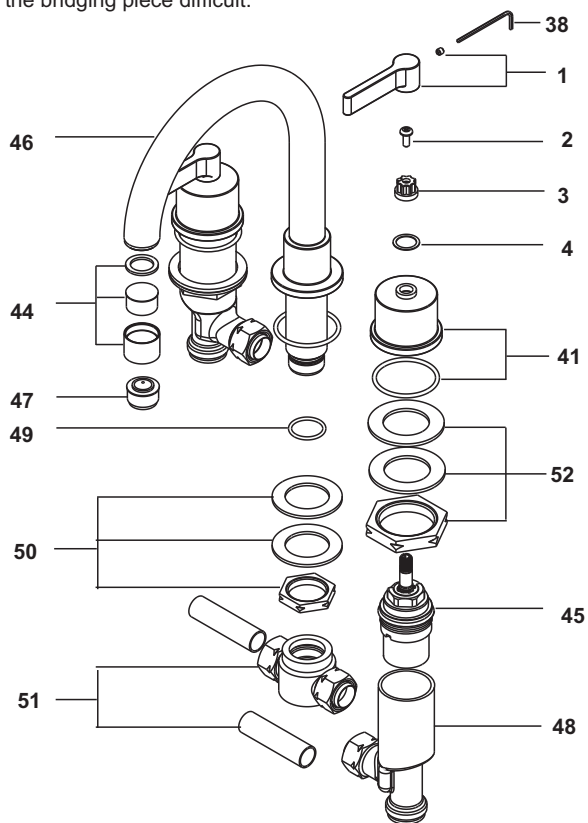
- Locate the spout boss into the centre taphole with the large rubber 'O' ring (13) in position above the basin platform to provide a watertight seal. Add the rubber washer, brass fixing plate (with slot to the rear of the basin for the location of the pop up rod where applicable) and backnut onto the threaded tail.
- Tighten the backnut to secure the spout to the basin.
- Position the two side valves from underneath. Screw on valve covers and fit handles to valves. **DO NOT** tighten the fixation nuts at this stage as this will make the fitting of the bridging piece difficult.
- Position the bridging piece and cut to length. The measurement is taken from the tail stops that are within the side valve bodies. Secure bridging piece to spout.
- Attach spout and secure with grub screw sufficiently to allow smooth rotation of the spout.



spout for kitchen fitting E0078AA

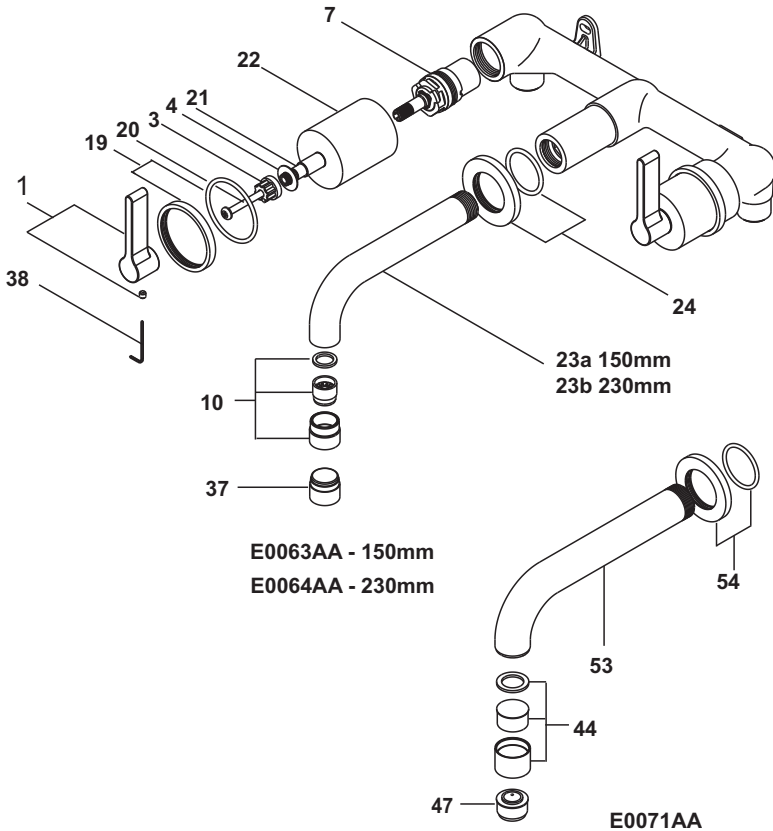
E0061AA & E0062AA

- Locate the spout into the centre taphole with the large rubber 'O' ring in position above the bath rim to provide a watertight seal. Tighten the backnut to secure the spout to the bath.
- Position the two side valves from underneath. Screw on valve covers and fit handles to valves. **DO NOT** tighten the fixation nuts at this stage as this will make the fitting of the bridging piece difficult.
- Position the bridging piece and cut the copper connection pieces to length. The measurement is taken from the tail stops that are within the side valve bodies and the bridging piece. Secure bridging piece to spout.



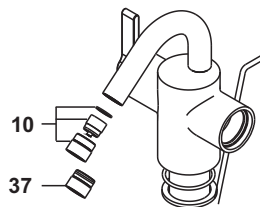
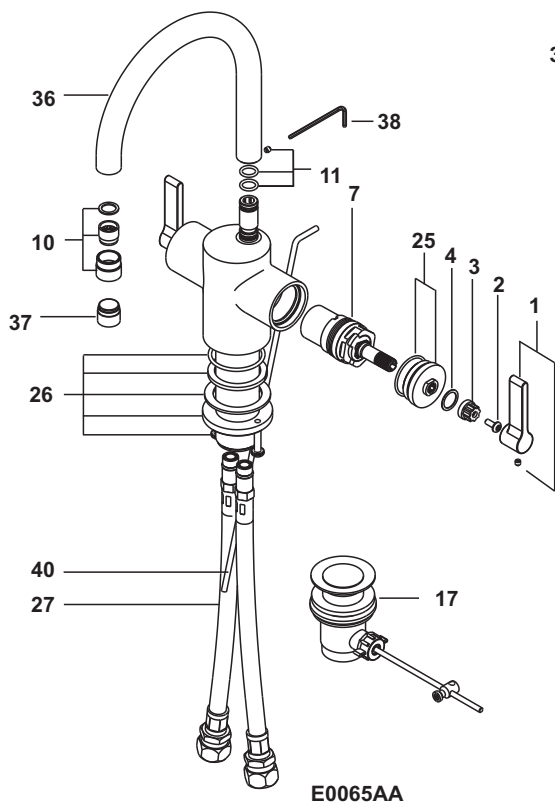
E0070AA

- The built-in wall mounted mixers are suitable for solid or stud walls. For solid walls, chase out a recess in the wall to a depth of 60-82mm from the finished wall surface. For stud partition walls fit a timber noggin at a suitable depth.
- Screw the fitting body to the back of the recess or the noggin ensuring it is both horizontally and vertically positioned. Connect to the supplies (hot on the left) using size G1/2 tap connectors.
- Fit spout connector to the body using thread sealing tape. Screw on side valve shrouds.
- Test connections before making good the cavity and completing the finished wall.
- Slide escutcheons down the valve covers and spout connectors to the finished wall.
- Screw on and seal spout and fit handles.



- Locate fitting complete with pop up rod into taphole with large rubber 'O' ring in position above the basin platform to provide a watertight seal.
- Place rubber washer, brass slip washer and then lock nut onto tap tail. Tighten the two pinch screws against the slip washer to secure the fitting.
- Attach spout and secure with grub screw sufficiently to allow smooth rotation of the spout.

Note: The bidet mixer is supplied with a pre-fitted spout



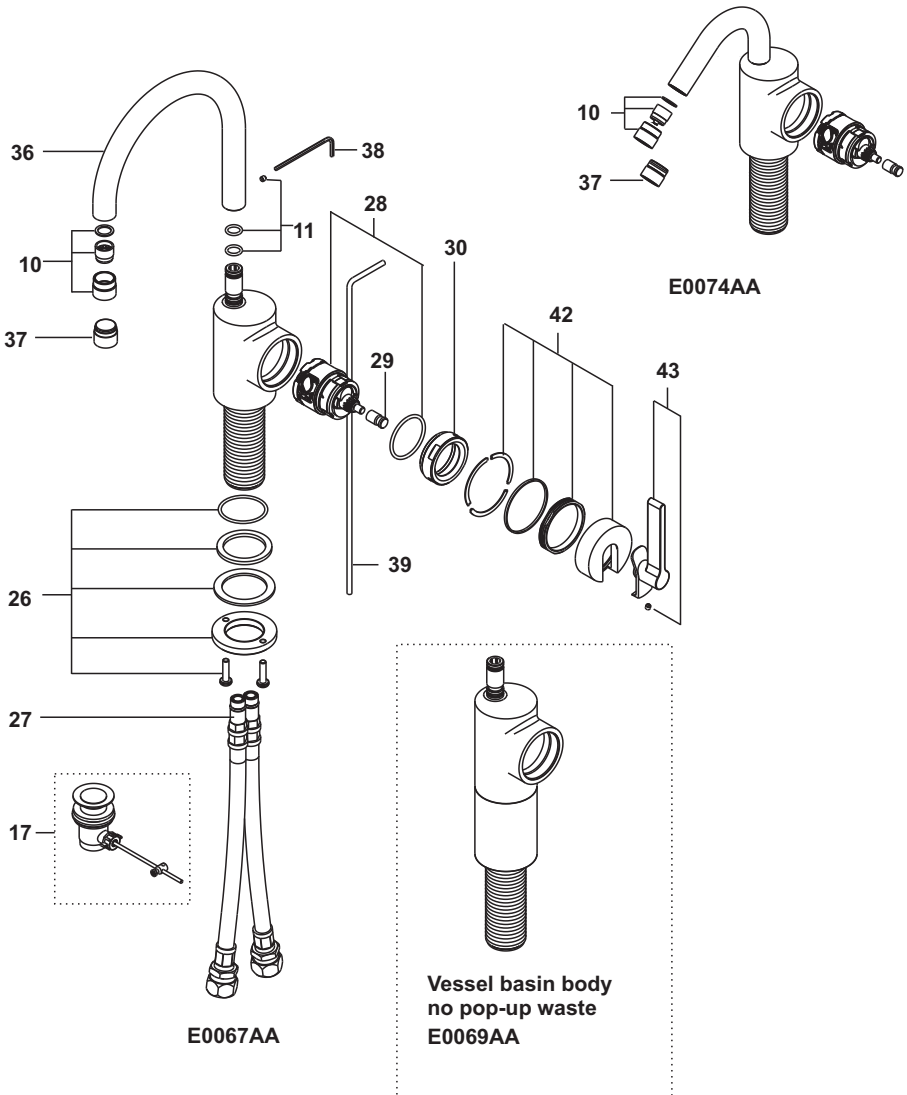
E0073AA

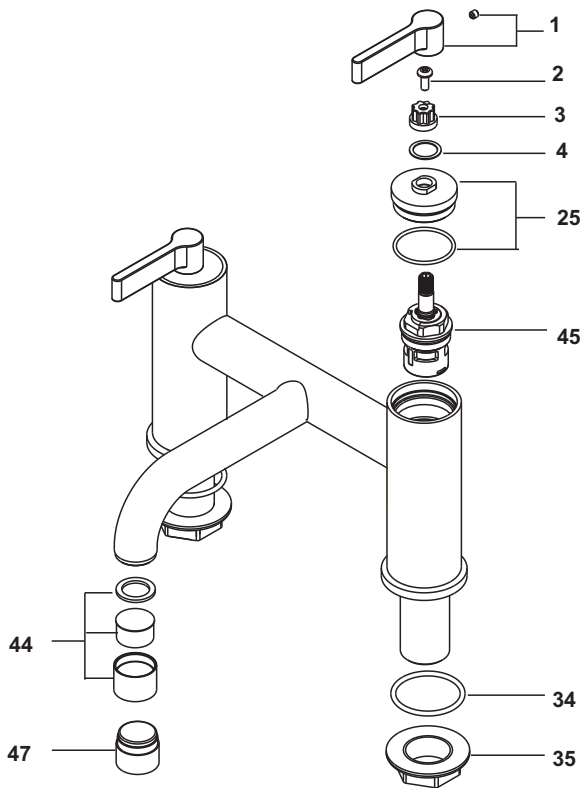
E0065AA

Note: The Silver single lever vessel basin mixer is intended for use with a free standing basin which will allow for the required 25mm air gap. If the correct air gap is not achievable then the basin mixer must be connected

using double check valves to protect against the possibility of backflow.

The bidet mixer is supplied with a pre-fitted spout



**E0072AA**

- Locate fitting into Bath tapholes with the rubber 'O' ring in position to provide a watertight seal.
- Tighten the backnuts.

Parts list

Ref.	Description
1	Dual control handle
2	Screw
3	Dual control drive insert
4	Colour indicator ring
5	shroud
6	Side valve fixation set
7	valve
8	Side valve
9	Basin spout DC
10	Flow straightener
11	Swivel spout 3H repair kit
12	Escutcheon
13	Spout fixation seals
14	Pop-up rod 3 Hole
15	Spout fixation set
16	Bridge piece
17	Pop-up waste
19	Escutcheon W/M valve
20	Drive insert fixation screw
21	Valve spindle extension
22	W/M valve shroud
23a	W/M basin spout 150 mm
23b	W/M basin spout 230 mm
24	Escutcheon W/M basin spout
25	Valve cover
26	Fixation kit 1 Hole basin
27	Flexible inlet tail
28	Multiport cartridge
29	S/L lever handle adapter
30	M/P cartridge retaining nut
31	Kitchen DC Swivel spout
34	Bath deck seal
35	3/4" backnut
36	Spout 1Hole Basin DC
37	Aerator
38	Allen key

Ref.	Description
39	Pop-up rod S/L
40	Pop-up rod D/C
41	Shroud 3 hole bath
42	Single lever handle shroud kit
43	Single lever handle
44	Flow straightener bath
45	cartridge - bath
46	Spout 3 hole bath
47	Aerator Bath
48	side valve - bath
49	Bath spout seal
50	Bath spout fixation kit
51	Bridge piece Bath 3 hole
52	Bath side valve fixation kit
53	Spout W/M bath spout
54	Escutcheon W/M bath spout

The blend control is a simple mechanical limit stop. Located under the single lever handle, it restricts the angle to which the handle can be rotated towards the full hot position. To set it, the hot water system should be on and the hot water up to normal working temperature. A thermometer will be required to measure the maximum blend temperature. Remove the handle (43) by removing the grub screw.

Pull off handle shroud (42)

The blend control stop (white crescent shaped plastic moulding - shown shaded) can then be removed. (In it's factory set position "0" - shown dotted in Figure (7) - it

does not limit the lever handle movement and the highest possible temperature will be possible)

Insert the limit stop in position 4 (shown shaded in Figure (7))

Operate the fitting and measure the temperature at the maximum setting.

If not high enough, reposition the stop in position 3 and check the temperature again.

Repeat the process until the temperature at the maximum setting is satisfactory.

Refit the handle cover (42) and handle (43) and check that the maximum blend temperature is still satisfactory.

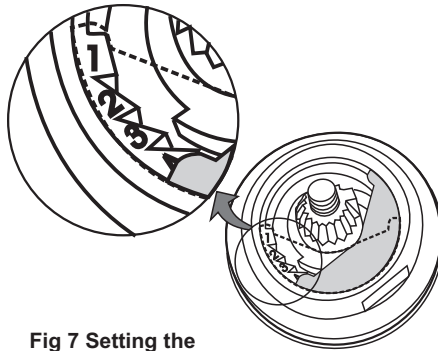


Fig 7 Setting the blend control

*Ideal
Standard*

Ideal Standard
The Bathroom Works
National Avenue
Kingston-upon-Hull
HU5 4HS England

0870 129 6086

CUSTOMER CARE HELPLINE

01482 499611

CUSTOMER CARE FAX

ukcustcare@aseur.com

E-MAIL

Ideal Standard pursues a policy of continuing improvement in design and performance of its products.

The right is therefore reserved to vary specification without notice.

Ideal Standard is a division of American Standard Plumbing (UK) Ltd

4324 05/03

E96518200